

Ceviconn

To :

Customer P/N :

Part Number : RB1-1H5BHQ1A

Description : RJ45 1X1 Tab Down

Through Hole

10/100 Base-T

Contact Area : Gold Flash

LED: L-Green; R-Green

POE



RB115012-00
Spec No.

2015/1/21
Update Date

A
Revision

Approved	Checked	Prepared

Contact us :

Ceviconn; [Http : //www.ceviconn.com](http://www.ceviconn.com)

Address : Striewitzweg 6E, 14513 Teltow, Germany

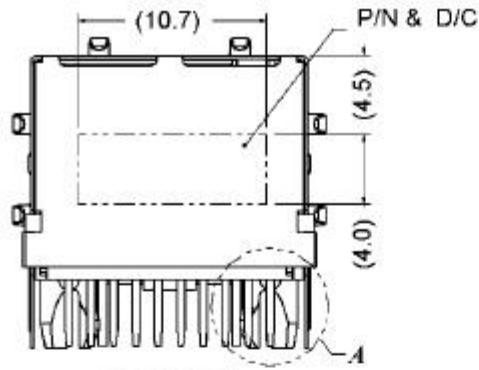
Email : sales@ceviconn.com; vickie.liang@ceviconn.com

Phone : 49-3328-4448201; 49-1575-6870327

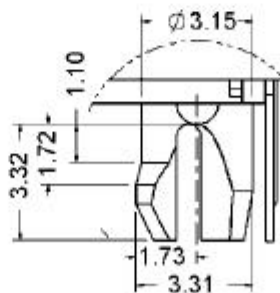
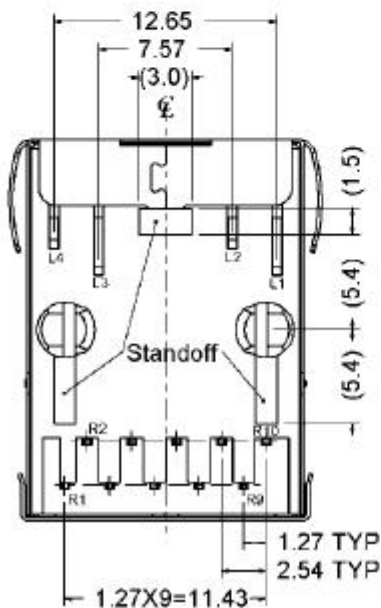
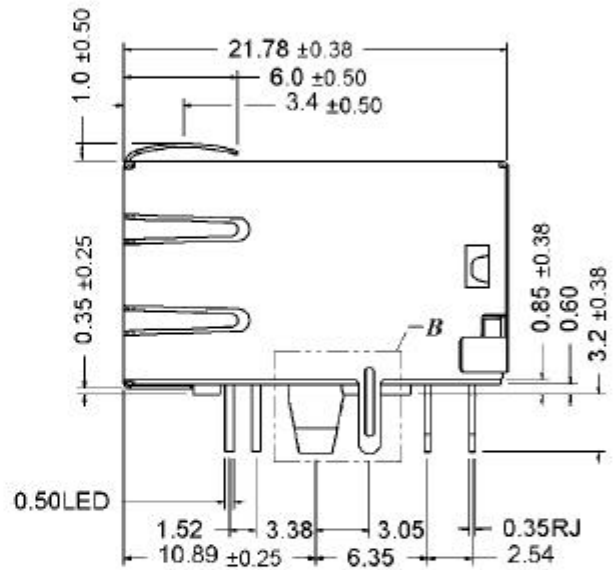
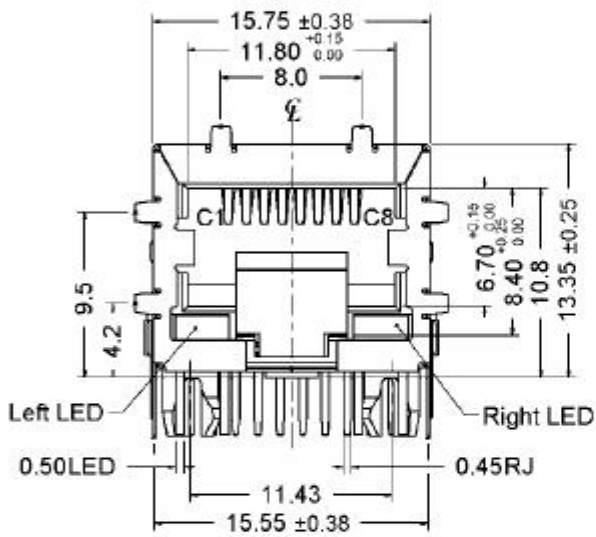
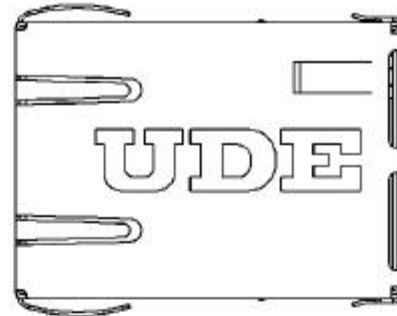
1. MECHANICAL DIMENSION

1.1 Product Dimension

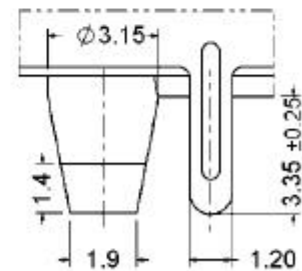
General Tolerance : X.X : ± 0.25
 X.XX : ± 0.13
 X.XXX : ± 0.08



BACK VIEW



Detail A

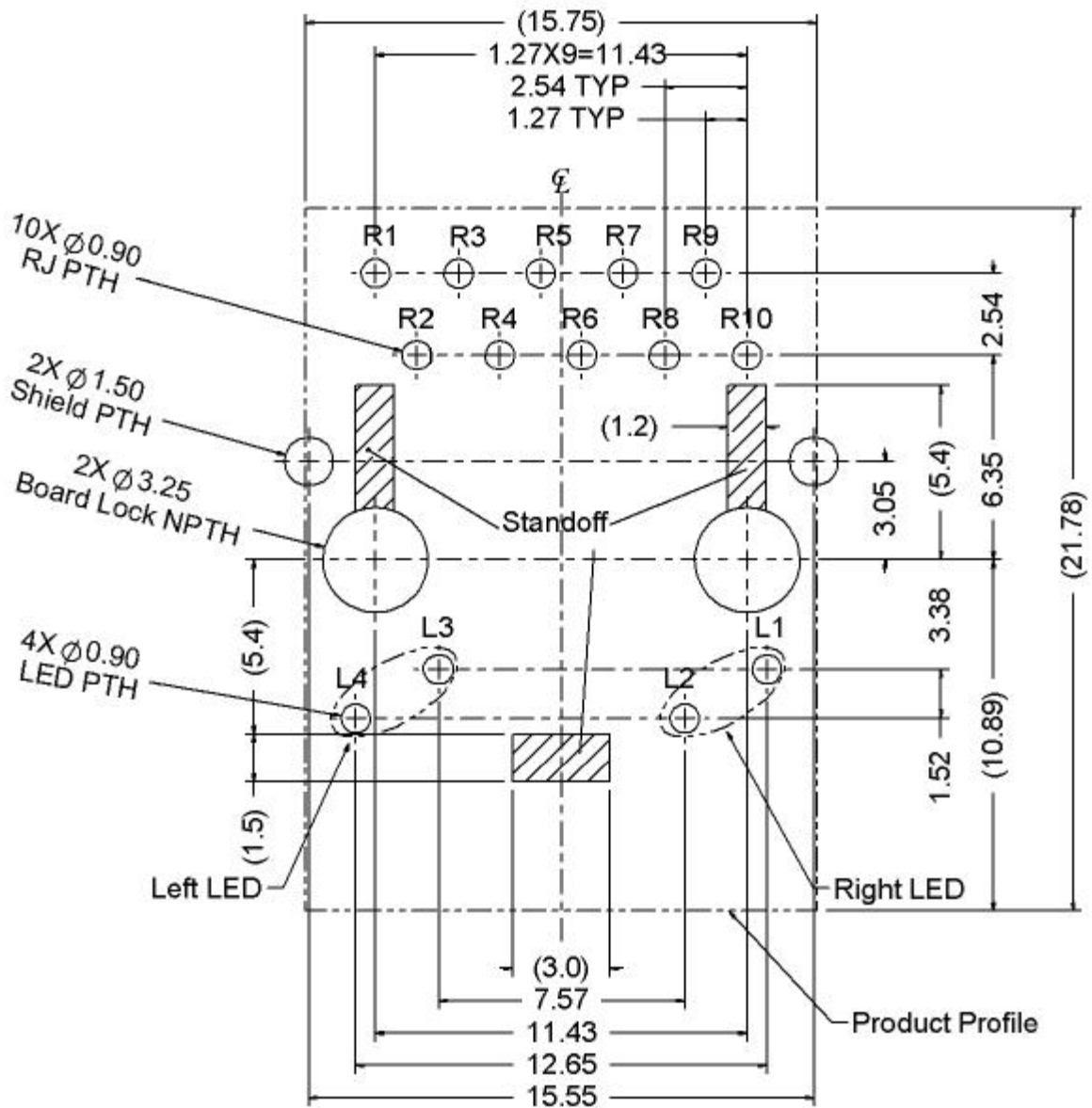


Detail B

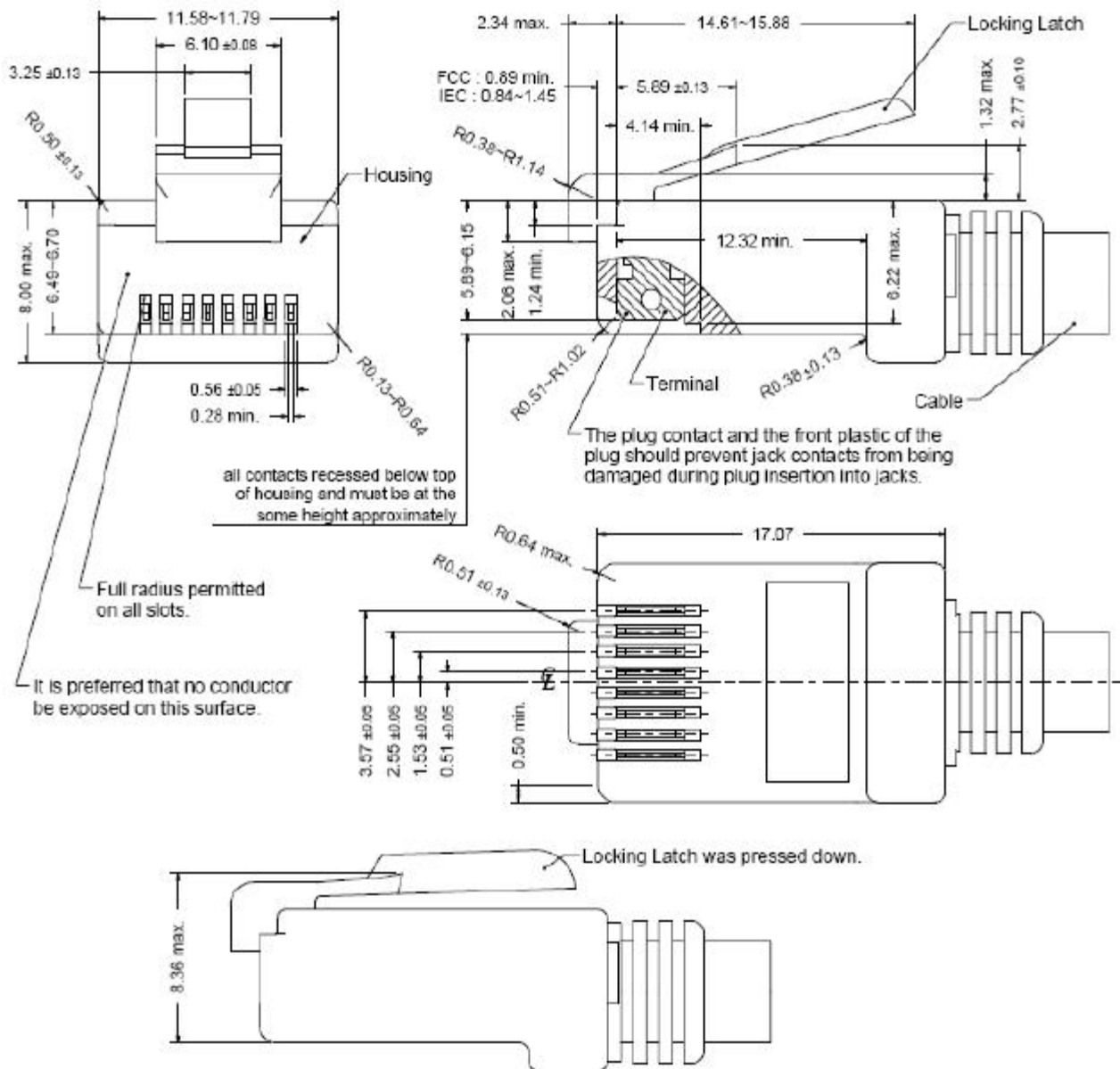
1.2 Recommended PCB Layout

Component Side of Board

All dimension tolerances are $\pm 0.05\text{mm}$ unless otherwise specified



1.3 Standard RJ45 Plug Specification



- All dimensions follow :
FCC subpart F, 68,500, Figure (C)(2)(i) & (C)(2)(ii) & (C)(3)(i)
IEC 60603-7
- All plugs must be meeting the requirements of plug Go & No-Go gauge.
Gauge follow : FCC subpart F, 68,500, Figure (C)(4)(i) & (C)(5)(i)
- There must be no damage to Housing and Locking Latch.
- There must be no nicks and cuts in cable.
- Durability : 750 cycles generally

2. REQUIREMENTS

2.1 Design and Construction

Product shall be of design, construction and physical dimensions specified on applicable.

2.2 Material

2.2.1 Terminal Parts (Underplating : 30 μ " min. Nickel overall)

2.2.1.1 RJ Terminal : PH. Bronze, Thickness=0.30mm

Finish : Contact Area : Gold Flash

2.2.1.2 Input Terminal : Brass, Thickness=0.35mm

Finish : 100 μ " min. Tin

2.2.1.3 Case Terminal : Brass, Thickness=0.30mm

Finish : 100 μ " min. Tin

2.2.2 Plastic Parts <UL94V-0>

2.2.2.1 Housing : PA6T, Black

2.2.2.2 Case : PA6T, Black

2.2.3 Shield Parts : Stainless, Thickness=0.20mm, Pre-soldering

2.3 Operating and Storage Temperature

Operating Temperature : 0°C to +70°C

Storage Temperature : -40°C to +85°C

2.4 RJ45 specifications

Insulation Resistance :500MΩ min.

Insertion force with the latch depressed :22N max

Removal force with the latch depressed :44N max

Locking Force of Plug Latch : 50N min. @ 60+/-5 sec

Durability : 750 cycles

2.5 Performance and Test Description

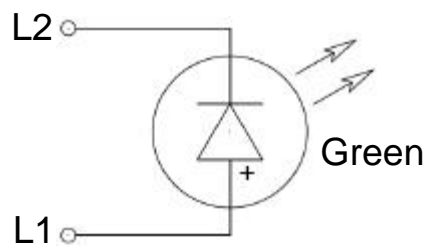
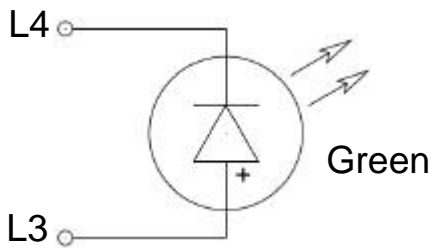
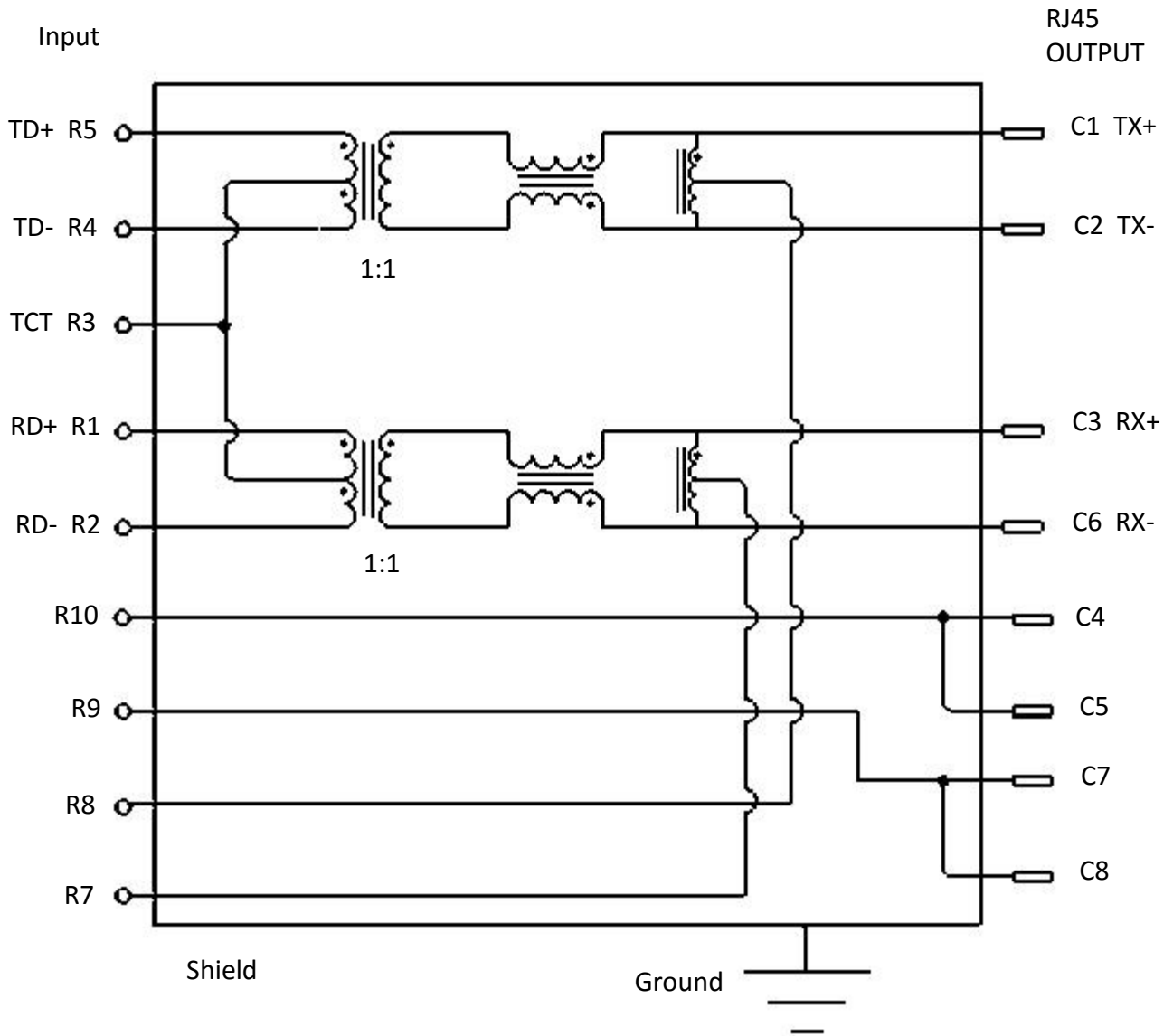
Product is designed to meet electrical, mechanical and environmental performance requirements specified in below table. All tests are performed at ambient environmental conditions per MIL-STD-1344A and EIA-364 unless otherwise specified.

2.6 Packaging and Packing

All parts shall be packaged and packed to protect against physical damage 、 corrosion and deterioration during shipment and storage.

3. ELECTRICAL CHARACTERISTICS

3.1 Schematic



Emitting Color	λ_p (nm)	V_f @ $I_f=20\text{mA}$	I_r @ $V_r=5\text{V}$
Green	565	1.7 ~ 2.6 V	10 μA max.

3.2 Transmitter filter & Receiver filter

Type : Balance low pass 100Ω impedance

Insertion loss : 1~100 MHz -1.0dB max.

Return loss : 1~30 MHz -18dB min. load 100Ω

30~60MHz -16dB min. load 100Ω

60~80MHz -12dB min. load 100Ω

3.3 Common Mode Rejection

@ 1~100 MHz -30dB min.

3.4 Cross Talk

@ 1~100 MHz -30dB min.

3.5 Inductance @ 100KHz, 0.1V, 8mA DC BIAS

Input(R5-R4), Input(R1-R2) : 350 μH min.

3.6 HiPot Test

Input(R5-R4) To Output(C1-C2) : 1500Vac 60s or 2250Vdc 60s

Input(R1-R2) To Output(C3-C6) : 1500Vac 60s or 2250Vdc 60s

3.7 Balanced DC line current

350mA MAX @57VDC continuous

500mA MAX @57VDC for 200 milliseconds

4. ORDER INFORMATION

R B 1 - 1 H 5B HQ1 A
 A B C D

A. LED Code :

L-Green; R-Green. <Refer to Schematic of LED>

B. Mechanical Code :

w/ UDE Logo, w/ All Spring

C. Schematics Code :

HQ1 : HQ1 circuit

D. Plating Code :

Underplating	30μ "min. Nickel overall	
Solder Tail	100μ " min. Bright Tin	100μ " min. Matted Tin
Contact Area	<u>A : Gold Flash</u> C : 6μ " gold B : 10μ " gold D : 15μ " gold F : 30μ " gold G : 50μ " gold ₈	1 : Gold Flash 6 : 6μ " gold 2 : 15μ " gold 3 : 30μ " gold 4 : 50μ " gold

5. DIPPING TEMPERATURE PROFILE

Note :

The measuring point for the specified temperature shall be on the soldered part of the lead.

