

Ceviconn

To :

Customer P/N :

Part Number : L21N002-0

Description : 100 BASE -T
SINGLE PORTS Transformer

Spec No. Update Date Revision
LZ0060-00 2016/5/13 A

Approved	Checked	Prepared

Contact us : Ceviconn GbR.

Http : [//www.ceviconn.com](http://www.ceviconn.com)

Address : Striewitzweg 6E, 14513 Teltow, Germany

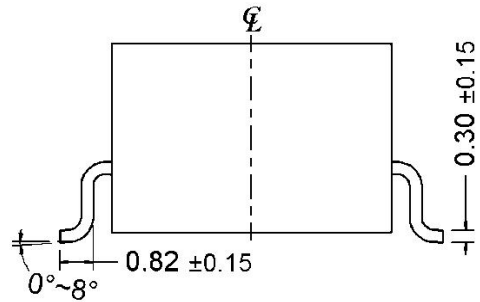
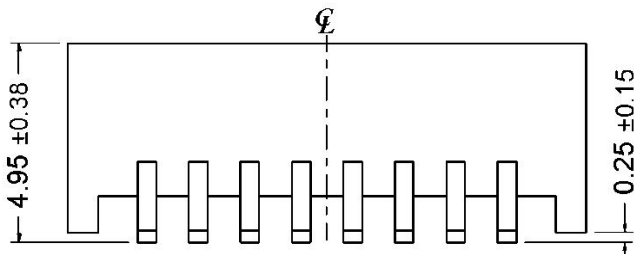
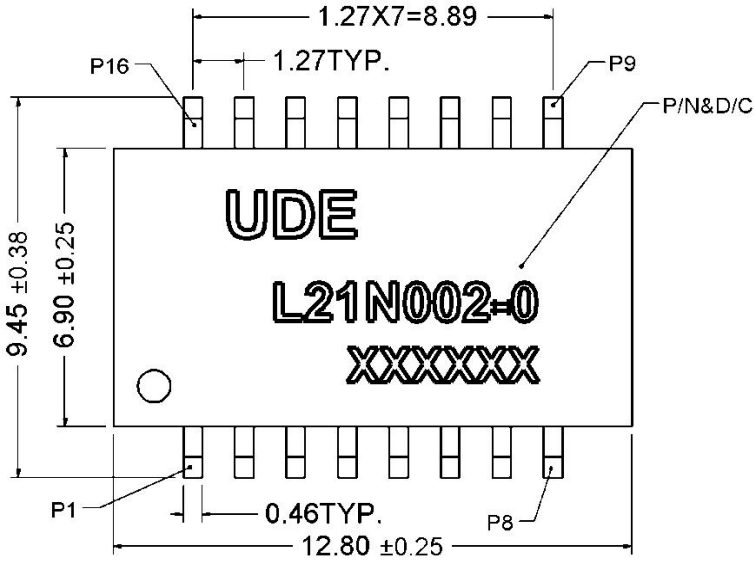
Email : sales@ceviconn.com; vickie.liang@ceviconn.com

Phone : 49-3328-4448201; 49-1575-6870327

1. MECHANICAL DIMENSION

1.1 Product Dimension

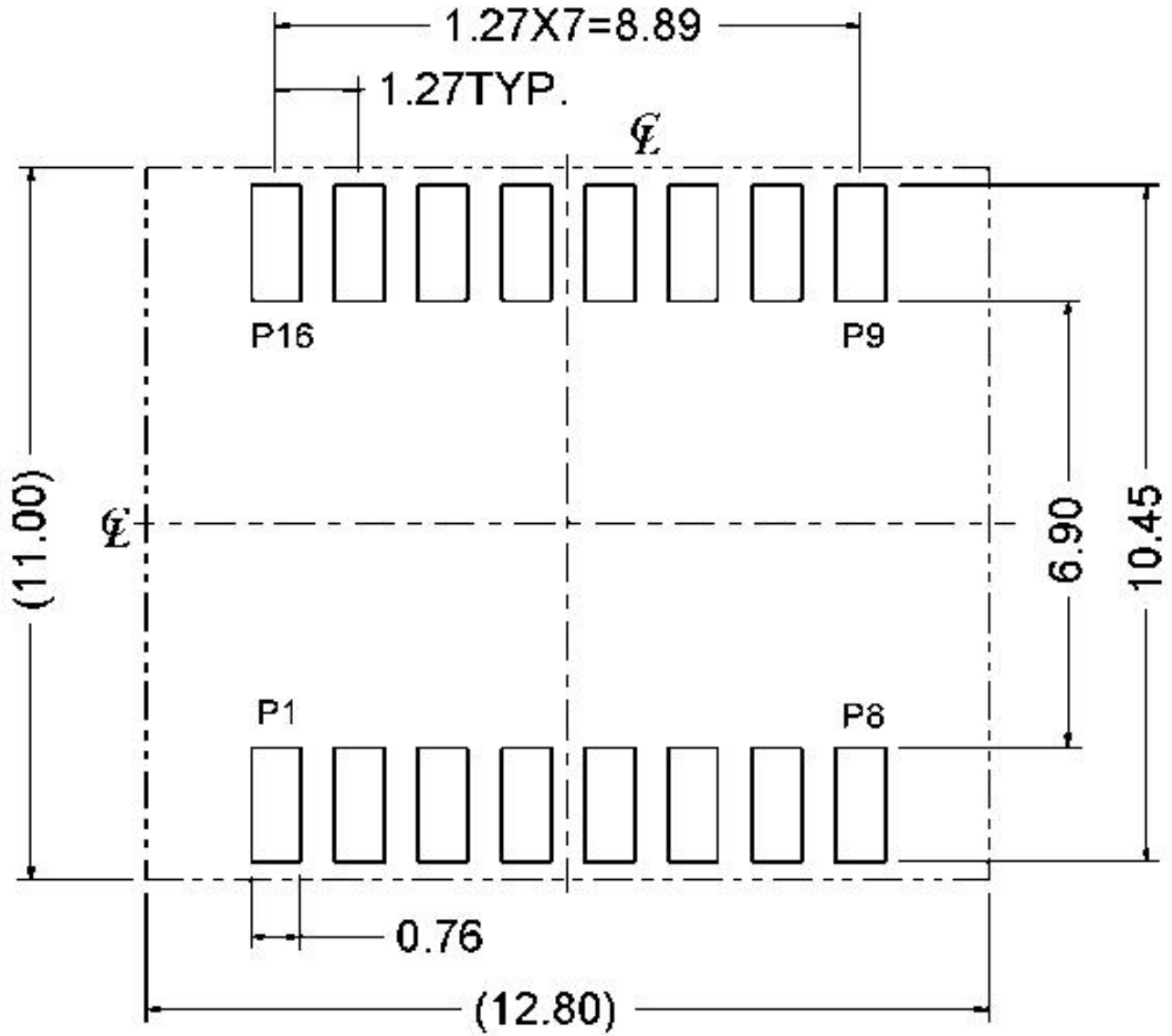
General Tolerance : X.X : ± 0.25
X.XX : ± 0.13



1.2 Recommended PCB Layout

Component Side of Board

All dimension tolerance are $\pm 0.08\text{mm}$ unless otherwise specified

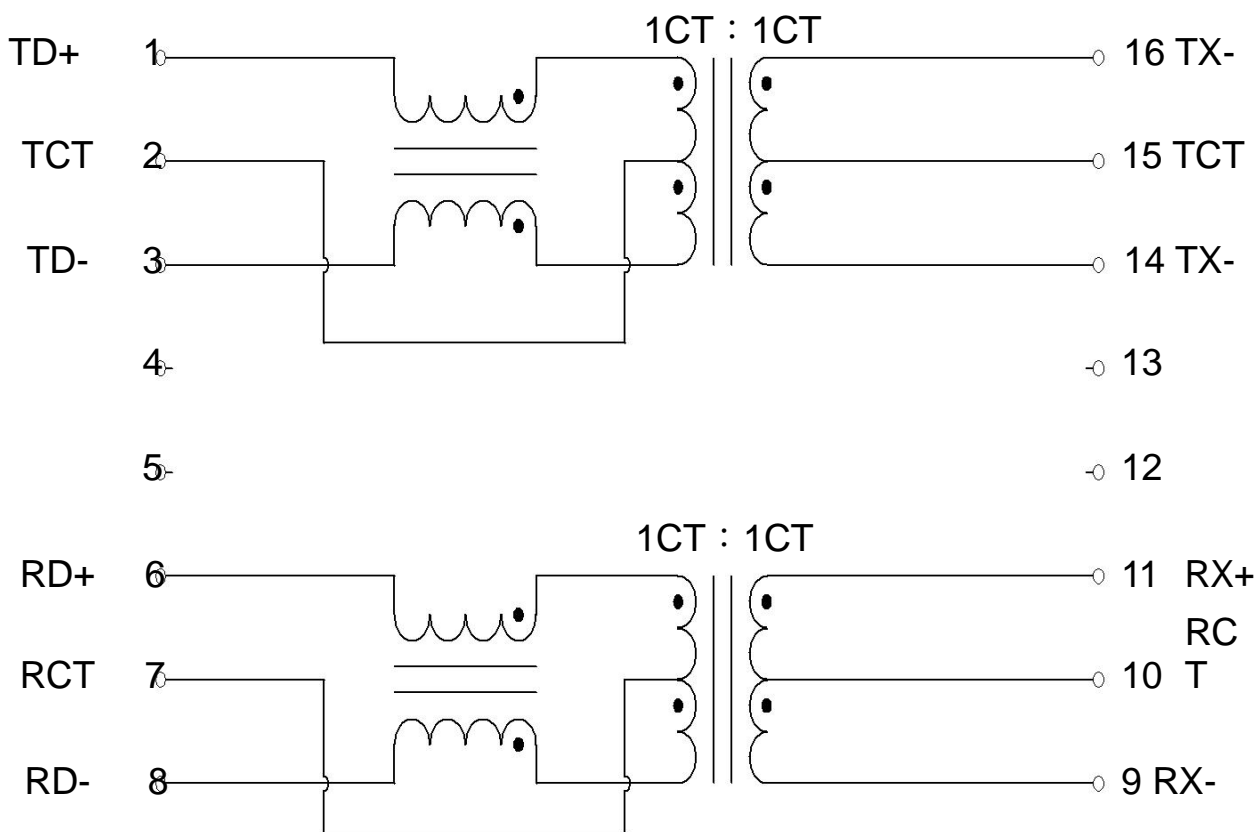


2. FEATURES

- 2.1 Designed for Ethernet 100 BASE-T, Single port applications.
- 2.2 Supports 2 pairs of category 5 UTP cable.
- 2.3 Cable interface for isolation and low common mode emissions.
- 2.4 Compliant with IEEE 802.3 and ANSI X3.263 standard.
- 2.5 Compliance with ROHS requirements.
- 2.6 Operating and Storage Temperature
 - Operating Temperature : 0°C to +70°C
 - Storage Temperature : -25°C to +105°C

3. ELECTRICAL CHARACTERISTICS

3.1 Schematic



3.2 Electrical Specifications @25°C

Type : Balance low pass 100Ω impeded

Insertion loss : 1~100 MHz -1.0dB max.

Return loss : 1~30 MHz -18dB min. load

30~60MHz -14dB min. load

60~80MHz -12dB min. load

3.3 DCMR

@ 30 MHz -40dB min.

@ 60 MHz -35dB min.

@ 100 MHz -30dB min.

3.4 Cross Talk

@ 30 MHz -40dB min.

@60 MHz -35dB min.

@ 100 MHz -30dB min.

3.5 Inductance

@ 100KHz, 0.1V, 8mA DC BIAS 350uHMin

3.6 HiPot Test

@ 1500 Vrms

3.7 Turns Ratio

@ 1:1±5%

4. IR REFLOW TEMPERATURE PROFILE

Temperature(°C)

